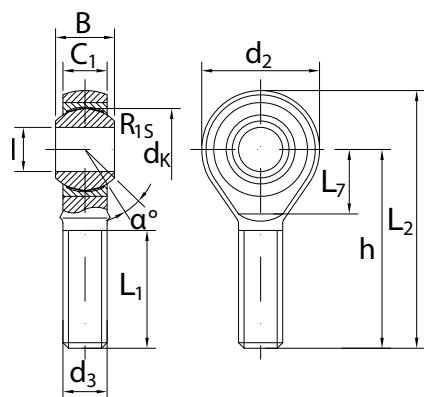


SA..T/K



SA..T/K - Maintenance-free rod end

Rod end with right or left-hand male thread made of a zinc plated steel housing with a maintenance-free spherical plain bearing mounted. Outer ring of brass with a sliding surface of PTFE-fabric and inner ring of steel.

For left hand thread, add L to the designation, e.g. SAL 30 T/K. Also available in stainless steel SSI..T/K

Designation	Dimensions mm												Load ratings kN	
	d	d ₃ 6g	B	C ₁	L ₁ min	d ₂	L ₂ min	h	L ₂	d _k	R _{1s}	a _z	dyn. C	stat. C ₀
SA 05 T/K	5	M5x0.8	8	6	19	18	-	33	42	11.11	0.3	13	5.70	6.00
SA 06 T/K	6	M6x1.0	9	6.75	21	20	-	36	46	12.70	0.3	13	7.20	7.65
SA 08 T/K	8	M8x1.25	12	9	25	24	-	42	54	15.875	0.3	14	11.6	12.9
SA 10 T/K	10	M10x1.5	14	10.5	28	28	-	48	62	19.05	0.3	13	14.5	18.0
SA 12 T/K	12	M12x1.75	16	12	32	32	-	54	70	22.225	0.3	13	17.0	24.0
SA 14 T/K	14	M14x2.0	19	13.5	36	36	18	60	78	25.40	0.3	16	24.0	31.0
SA 16 T/K	16	M16x2.0	21	15	37	42	21	66	87	28.575	0.3	15	28.5	39.0
SA 18 T/K	18	M18x1.5	23	16.5	41	44	22	72	94	31.75	0.3	15	42.5	47.5
SA 20 T/K	20	M20x1.5	25	18	45	50	25	78	103	34.925	0.3	14	42.5	57.0
SA 22 T/K	22	M22x1.5	28	20	48	54	27	84	111	38.10	0.3	15	57.0	68.0
SA 25 T/K	25	M24x2.0	31	22	55	60	30	94	124	42.86	0.3	15	68.0	85.0
SA 28 T/K	28	M27x2.0	35	24	62	66	33	103	136	47.63	0.3	15	86.0	107.0
SA 30 T/K	30	M30x2.0	37	25	66	70	35	110	145	50.80	0.3	17	88.0	114.0
SA 35 T/K	35	M36x2.0	43	28	85	81	40	140	180.5	57.15	0.3	16	-	-
SA 40 T/K	40	M42x2.0	49	33	90	91	45	150	195.5	66.67	0.3	17	-	-
SA 50 T/K	50	M48x2.0	60	45	105	117	58	185	243.5	82.50	0.3	12	-	-