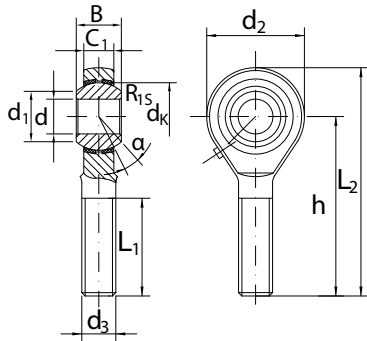


POS



POS - Rod end requiring maintenance with grease nipple and grease groove

Rod end with right or left-hand male thread made of a zinc plated steel housing with a spherical plain bearing with inner ring of steel and outer ring of bronze.

For left hand thread, add L to the designation, e.g. POSL 08

Designation	Dimensions mm												Load ratings kN	
	d	d ₃	B	C ₁ min	L ₁	d ₁	d ₂	h	L ₂	d _k	R _{1s}	a _z	dyn. C	stat. C ₀
POS 05	5	M5x0.8	8	6	20	7.7	16	33	41	11.11	0.3	13	3.25	5.70
POS 06	6	M6x1.0	9	6.75	22	8.96	18	36	45	12.70	0.3	13	4.30	7.20
POS 08	8	M8x1.25	12	9	25	10.4	22	42	53	15.875	0.3	14	7.20	11.6
POS 10	19	M10x1.5	14	10.5	29	12.9	26	48	61	19.05	0.3	13	10.0	14.5
POS 12	12	M12x1.75	16	12	33	15.4	30	54	69	22.225	0.3	13	13.4	17.0
POS 14	14	M14x2.0	19	13.5	36	16.9	34	60	77	25.40	0.3	16	17.0	24.0
POS 16	16	M16x2.0	21	15	40	19.4	40	66	86	28.575	0.3	15	21.6	28.5
POS 18	18	M18x1.5	23	16.5	44	21.9	44	72	94	31.75	0.3	15	26.0	42.5
POS 20	20	M20x1.5	25	18	47	24.4	50	78	103	34.925	0.3	14	31.5	52.5
POS 22	22	M22x1.5	28	20	51	25.8	54	84	111	38.10	0.3	15	38.0	57.0
POS 25	25	M24x2.0	31	22	57	29.6	60	94	124	42.85	0.3	15	47.5	68.0
POS 28	28	M27x2.0	35	24	62	21.3	66	103	136	47.60	0.3	15	58.0	75.5
POS 30	30	M30x2.0	37	25	66	34.8	70	110	145	50.80	0.3	17	64.0	88.0