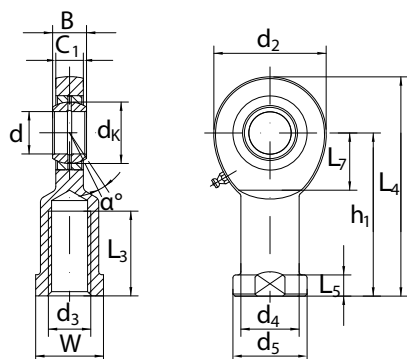


SI..E - SI..ES - SI..ES 2RS



SI..E - Rod end requiring maintenance

SI..ES - Rod end requiring maintenance with grease nipple and grease groove

SI..ES 2RS (d ≥ 15) - Rod end requiring maintenance with grease nipple, grease groove and seals

Rod end with right or left-hand female thread made of a zinc plated steel housing with a GE..E, GE..ES eller GE..ES 2RS spherical plain bearing mounted.

Also available with seals, e.g. SI(L) 30 ES 2RS

* without grease hole and grease nipple, For left hand thread, add L to the designation, e.g. SIL 30 ES

Designation	Dimensions mm													Load ratings kN		
	d	d ₃ 6H	B	C ₁	L ₃ min	W	d ₂	h ₁	L ₄	L ₅	d ₄	d ₅	d _k	a _z	dyn. C	stat. C ₀
SI 06 E*	6	M6x1.0	6	4.4	11	11	21	30	40.5	5	10	13	10	13	3.40	8.15
SI 08 E*	8	M81.25	8	6.0	15	14	24	36	48	5	12.5	16	13	15	5.50	12.9
SI 10 E*	10	M10x1.5	9	7.0	20	17	29	43	57.5	6.5	15	19	16	12	8.15	17.6
SI 12 E*	12	M12x1.75	10	8.0	23	19	34	50	67	6.5	17.5	22	18	11	10.8	24.5
SI 15 ES	15	M14x2.0	12	10	30	22	40	61	81	8	21	26	22	8	17.0	36.0
SI 17 ES	17	M16x2.0	14	11	34	27	46	67	90	10	24	30	25	10	21.2	45.0
SI 20 ES	20	M20x1.5	16	13	40	32	53	77	103.5	10	27.5	35	29	9	30.0	60.0
SI 25 ES	25	M24x2.0	20	17	48	36	64	94	126	12	33.5	42	35.5	7	48.0	83.0
SI 30 ES	30	M30x2.0	22	19	56	41	73	110	146.5	15	40	50	40.7	6	62.0	110
SI 35 ES	35	M36x3.0	25	21	60	50	82	125	166	15	47	58	47	6	80.0	146
SI 40 ES	40	M39x3.0	28	23	65	55	92	142	188	18	52	65	53	7	100	180
SI 45 ES	45	M42x3.0	32	27	65	60	102	145	196	20	58	70	60	7	127	240
SI 50 ES	50	M45x3.0	35	30	68	65	112	160	216	20	62	75	66	6	156	290
SI 60 ES	60	M52x3.0	44	38	70	75	135	175	242.5	20	70	88	80	6	245	450
SI 70 ES	70	M56x4.0	49	42	80	85	160	200	280	20	80	98	92	6	315	610
SI 80 ES	80	M64x4.0	55	47	85	100	180	230	320	25	95	110	105	6	400	750