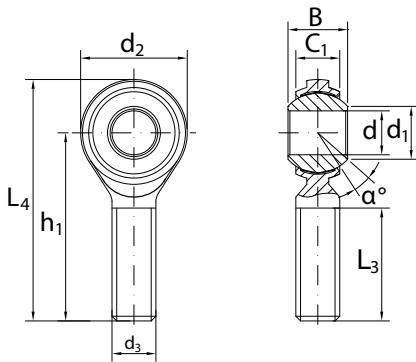


SA..PK



SA..PK - Maintenance-free rod end

Rod end with right or left-hand male thread made of a zink plated steel housing with a layer of PTFE-composite. Inner ring made of hard chromed steel.

For left hand thread, add L to the designation, e.g. SAL 18 PK

Designation	Dimensions mm									Load ratings kN	
	d	d ₃ 6g	B	C ₁	d ₂	h ₁	L ₄	L ₃	a _z	dyn. C	stat. C ₀
SA 05 PK	5	M5x0.8	8	6	19	33	42.5	20	12	5.70	6.00
SA 06 PK	6	M6x1.0	9	6.7	21	36	46.5	22	11	7.20	7.65
SA 08 PK	8	M8x1.25	12	9	25	42	54.5	25	12	11.6	12.9
SA 10 PK	10	M10x1.5	14	11	29	48	62.5	29	12	14.5	18.0
SA 12 PK	12	M12x1.75	16	12	33	54	70.5	33	13	17.0	24.0
SA 14 PK	14	M14x2.0	19	13	37	60	78.5	36	14	24.0	31.0
SA 16 PK	16	M16x2.0	21	15	43	66	87.5	40	14	28.5	39.0
SA 18 PK	18	M18x1.5	23	17	47	72	95.5	44	14	42.5	47.5
SA 20 PK	20	M20x1.5	25	18	51	78	103.5	47	14	42.5	57.0
SA 22 PK	22	M22x1.5	28	20	55	84	111.5	50	15	57.0	68.0
SA 25 PK	25	M24x2.0	31	22	61	94	124.5	57	15	68.0	85.0