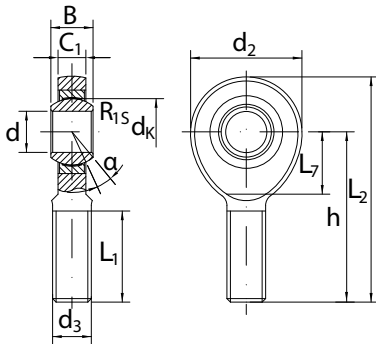


GAR..UK - GAR..UK 2RS



GAR..UK - Maintenance-free rod end

GAR..UK 2RS ($d \geq 17$) - Maintenance-free rod end with seals

Rod end with right or left-hand male thread made of a zinc plated steel housing with a GE..UK or GE..UK 2RS spherical plain bearing mounted.

For left hand thread, add L to the designation, e.g. GAL 10 UK

Type	Dimensions mm												Load ratings kN	
	d	d ₃	B	C ₁	L ₁	d ₂	L ₂	h	L ₂	d _k	R _{1s}	α	dyn. C	stat. C ₀
GAR 06 UK	6	M6x1.0	6	4.4	18	21	12	36	46.6	10	0.3	13	3.60	8.15
GAR 08 UK	8	M8x1.25	8	6	22	24	14	42	54	13	0.3	15	5.85	12.9
GAR 10 UK	10	M10x1.5	9	7	26	29	15	48	62.5	16	0.3	12	8.65	17.6
GAR 12 UK	12	M12x1.75	10	8	28	34	18	54	71	18	0.3	11	11.4	24.5
GAR 15 UK	15	M14x2.0	12	10	34	40	20	64	83	22	0.3	8	17.6	36.0
GAR 17 UK(2RS)	17	M16x2.0	14	11	36	46	23	69	92	25	0.3	10	22.4	45.0
GAR 20 UK(2RS)	20	M20x1.5	16	13	43	53	27	78	104.5	29	0.6	9	31.5	60.0
GAR 25 UK(2RS)	25	M24x2.0	20	17	53	64	32	94	126	35.5	0.6	7	51.0	83.0
GAR 30 UK(2RS)	30	M30x2.0	22	19	65	73	37	110	146.5	40.7	0.6	6	66.5	110
GAR 35 UK2RS	35	M36x3.0	25	21	82	82	42	140	181	47	0.6	6	112	146
GAR 40 UK2RS	40	M39x3.0	28	23	86	92	48	150	196	53	0.6	7	140	180
GAR 45 UK2RS	45	M42x3.0	32	27	94	102	52	163	214	60	0.6	7	180	240
GAR 50 UK2RS	50	M45x3.0	35	30	107	112	60	185	241	66	0.6	6	220	290
GAR 60 UK2RS	60	M52x3.0	44	38	115	135	75	210	277.5	80	1.0	6	345	450
GAR 70 UK2RS	70	M56x4.0	49	42	125	160	87	235	315	92	1.0	6	440	610
GAR 80 UK2RS	80	M64x4.0	55	47	140	180	100	270	360	105	1.0	6	570	750