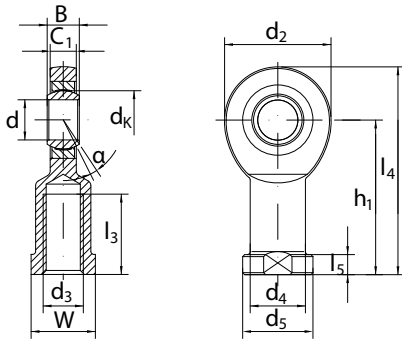


GIR..UK - GIR..UK 2RS



GIR..UK - Maintenance-free rod end
 GIR..UK 2RS ($d \geq 17$) - Maintenance-free rod end with seals

Rod end with right or left-hand female thread made of a zinc plated steel housing with a GE..UK eller GE..UK 2RS spherical plain bearing mounted.

For left hand thread, add L to the designation, e.g. GIL 10 UK

Designation	Dimensions mm														Load ratings kN	
	d	d ₃	B	C ₁	L ₃	W	d ₂	h ₁	L ₄	L ₅	d ₄	d ₅	d _k	a _z	dyn. C	stat. C ₀
GIR 06 UK	6	M6x1.0	6	4.4	11	11	21	30	40.5	5	10	13	10	13	3.60	8.15
GIR 08 UK	8	M8x1.25	8	6	15	14	24	36	48	5	12.5	16	13	15	5.80	12.9
GIR 10 UK	10	M10x1.5	9	7	20	17	29	43	57.5	6.5	15	19	16	12	8.65	17.6
GIR 12 UK	12	M12x1.75	10	8	23	19	34	50	67	6.5	17.5	22	18	11	11.4	24.5
GIR 15 UK	15	M14x2.0	12	10	30	22	40	61	81	8	21	26	22	8	17.6	36.0
GIR 17 UK (2RS)	17	M16x2.0	14	11	34	27	46	67	90	10	24	30	25	10	22.4	45.0
GIR 20 UK (2RS)	20	M20x1.5	16	13	40	32	53	77	103.5	10	27.5	35	29	9	31.5	60.0
GIR 25 UK (2RS)	25	M24x2.0	20	17	48	36	64	94	126	12	33.5	42	35.5	7	51.0	83.0
GIR 30 UK (2RS)	30	M30x2.0	22	19	56	41	73	110	146.5	15	40	50	40.7	6	66.5	110
GIR 35 UK 2RS	35	M36x3.0	25	21	60	50	82	125	166	15	47	58	47	6	112	146
GIR 40 UK 2RS	40	M39x3.0	28	23	65	55	92	142	188	18	52	65	53	7	140	180
GIR 45 UK 2RS	45	M42x3.0	32	27	65	60	102	145	196	20	58	70	60	7	180	240
GIR 50 UK 2RS	50	M45x3.0	35	30	68	65	112	160	216	20	62	75	66	6	230	290
GIR 60 UK 2RS	60	M52x3.0	44	38	70	75	135	175	242.5	20	70	88	80	6	345	450
GIR 70 UK 2RS	70	M56x4.0	49	42	80	85	160	200	280	20	80	98	92	6	440	610
GIR 80 UK 2RS	80	M64x4.0	55	47	85	100	180	230	320	25	95	110	105	6	570	750