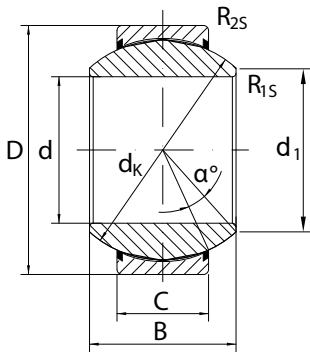


GE..UK 2RS



GE..UK 2RS - With seals

Maintenance-free Spherical Plain Bearing with outer ring of steel and the sliding surface coated with PTFE composite material. Inner ring of hard chromed plated steel. With integrated seals.

Type	Dimensions mm									Load ratings kN	
	d	d ₂	D	B	C	d _k	R _{15 min}	R _{25 min}	α	dyn. C	stat. C ₀
GE 15 UK 2RS	15	26	12	9	18	22	0.3	0.3	9	26	52
GE 17 UK 2RS	17	30	14	10	20	25	0.3	0.3	10	30	60
GE 20 UK 2RS	20	35	16	12	24	29	0.3	0.3	9	42	83
GE 25 UK 2RS	25	42	20	16	29	35.5	0.6	0.6	7	68	137
GE 30 UK 2RS	30	47	22	18	34	40.7	0.6	0.6	6	88	176
GE 35 UK 2RS	35	55	25	20	39	47	0.6	1.0	6	112	224
GE 40 UK 2RS	40	62	28	22	45	53	0.6	1.0	7	140	280
GE 45 UK 2RS	45	68	32	25	50	60	0.6	1.0	7	180	360
GE 50 UK 2RS	50	75	35	28	55	66	0.6	1.0	6	220	440
GE 60 UK 2RS	60	90	44	36	66	80	1.0	1.0	6	345	695
GE 70 UK 2RS	70	105	49	40	77	92	1.0	1.0	6	440	880
GE 80 UK 2RS	80	120	55	45	88	105	1.0	1.0	6	567	1140
GE 90 UK 2RS	90	130	60	50	98	115	1.0	1.0	5	690	1370
GE 100 UK 2RS	100	150	70	55	109	130	1.0	1.0	7	858	1730
GE 110 UK 2RS	110	160	70	55	121	140	1.0	1.0	6	924	1860
GE 120 UK 2RS	120	180	85	70	135	160	1.0	1.0	5	1340	2700